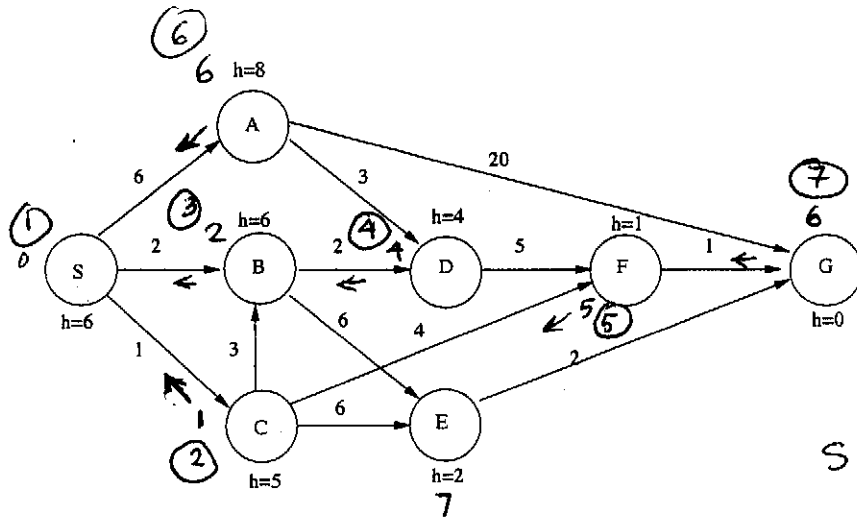
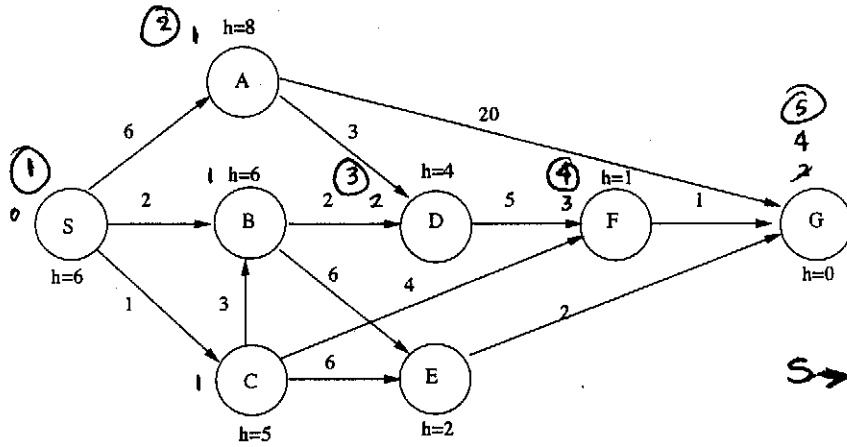


U.C.S.



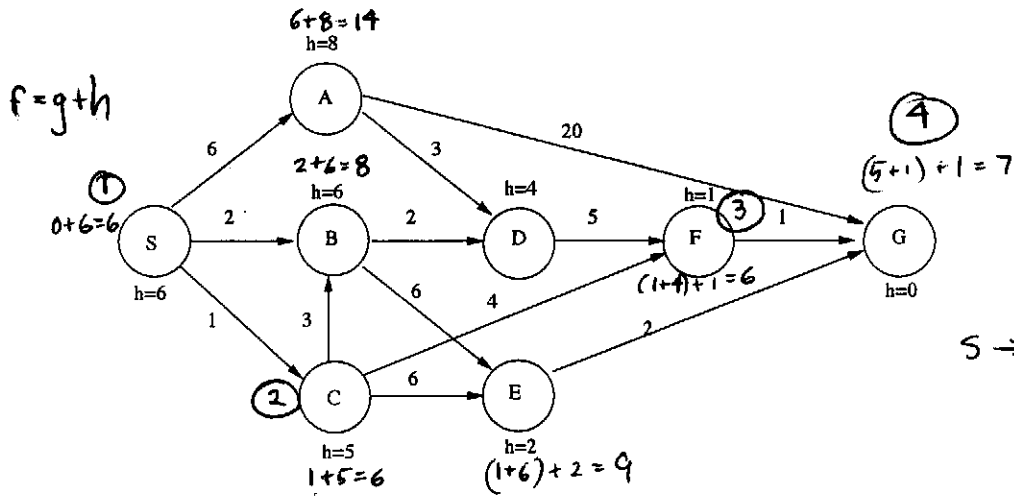
PATH FOUND:  
S → C → F → G

DFS



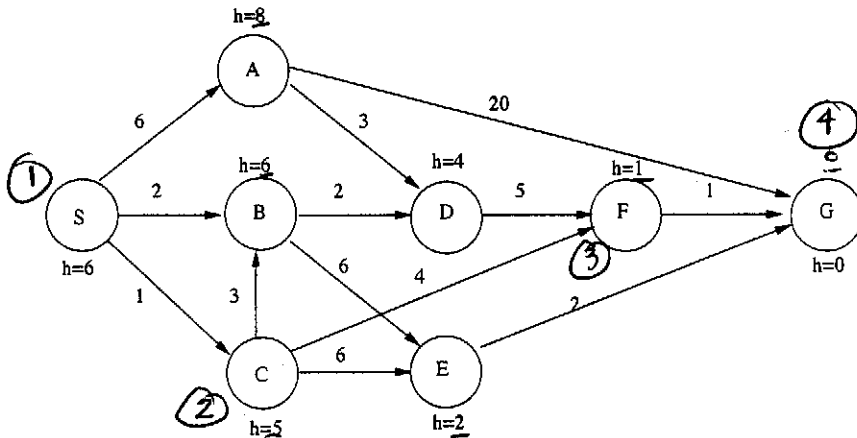
PATH:  
S → A → D → F → G

A\*



PATH:  
S → C → F → G

GREEDY-BEST



PATH:  
S → C → F → G